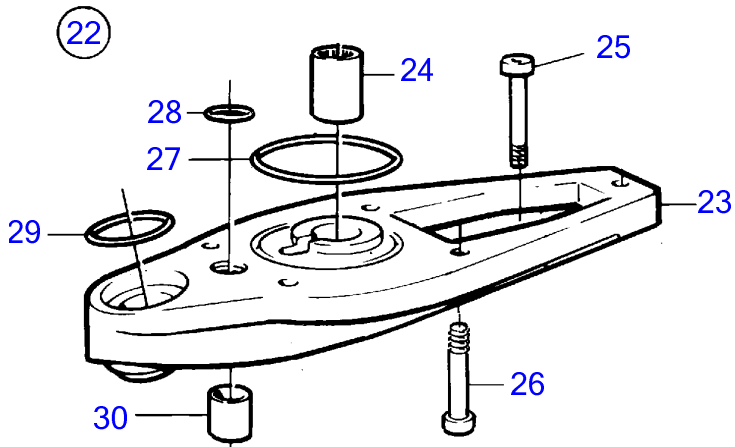
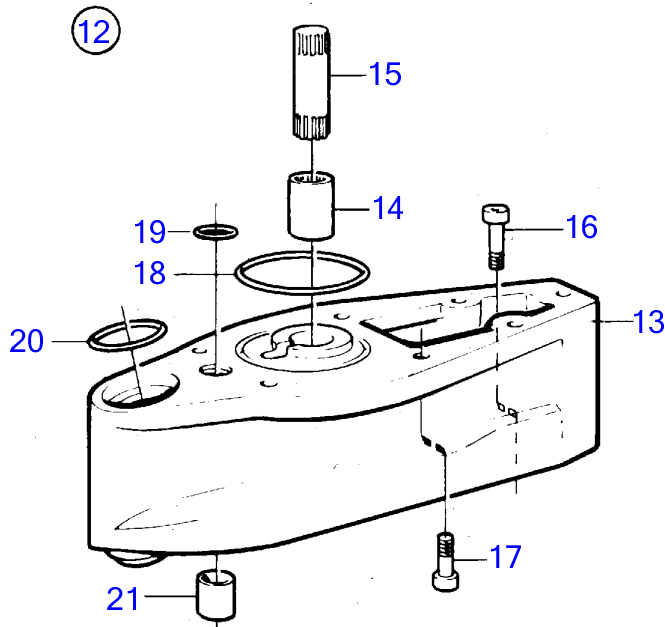
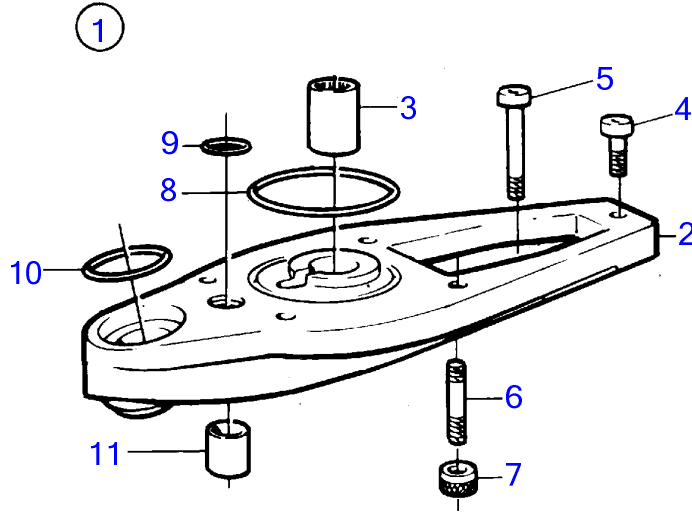


KAD42P-A, KAMD42P-A



16576

KAD42P-A, KAMD42P-A

REF	PART NO.	QTY	DESCRIPTION
22	3851712	1	Extension kit
23		1	• Intermediate section
24	854684	1	• Splined sleeve
25	959448	3	• Hex. socket screw
26	959461	4	• Hex. socket screw
27	925256	1	• O-ring
28	125017	1	• O-ring
29	941820	1	• O-ring
30	897823	1	• Oil pipe